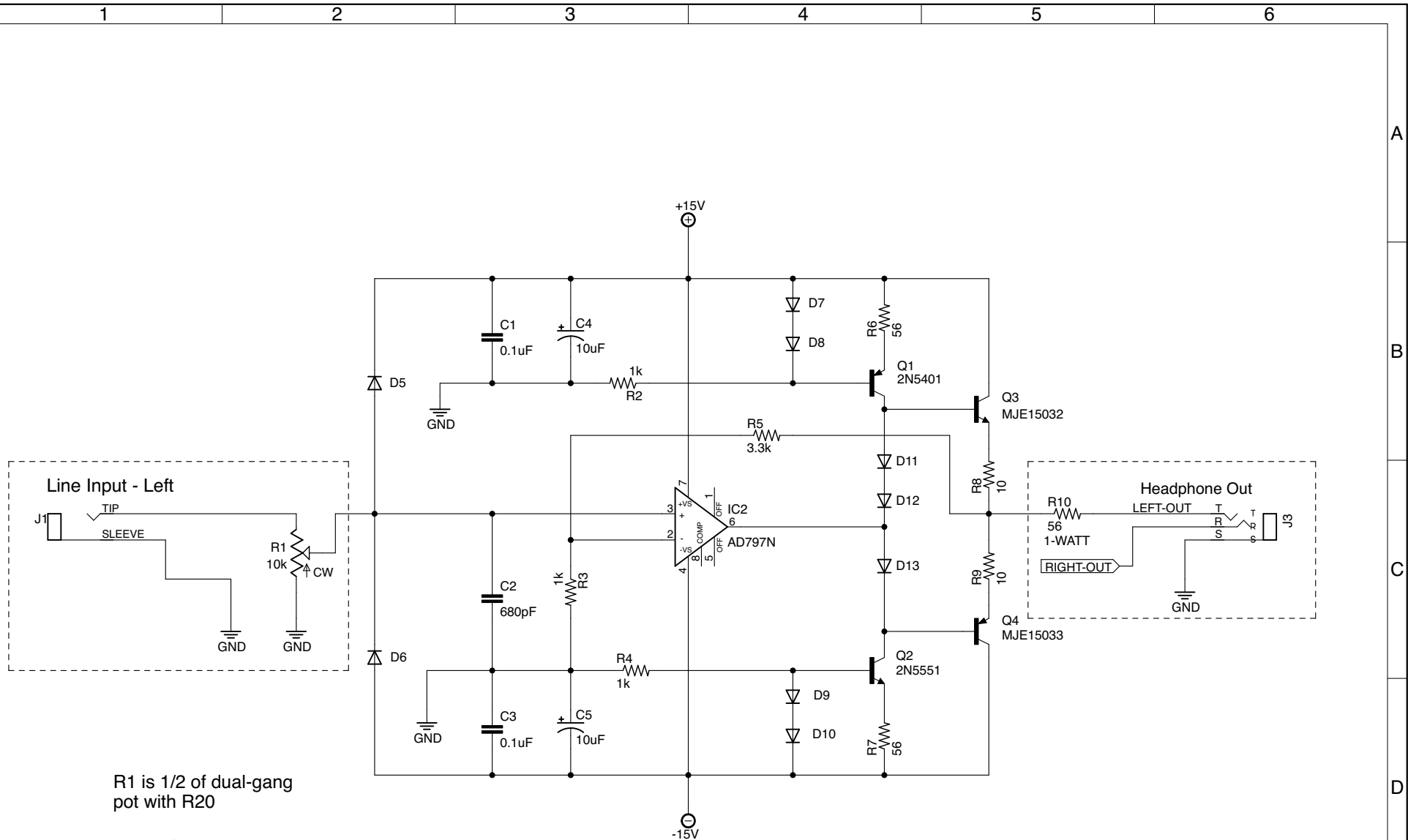


Power Supply

Indicates items not necessarily mounted on PCB

TITLE: engr301-project-sp13	
Document Number:	REV:
Date: 2/19/13 9:36 AM	Sheet: 1/3



Left Channel

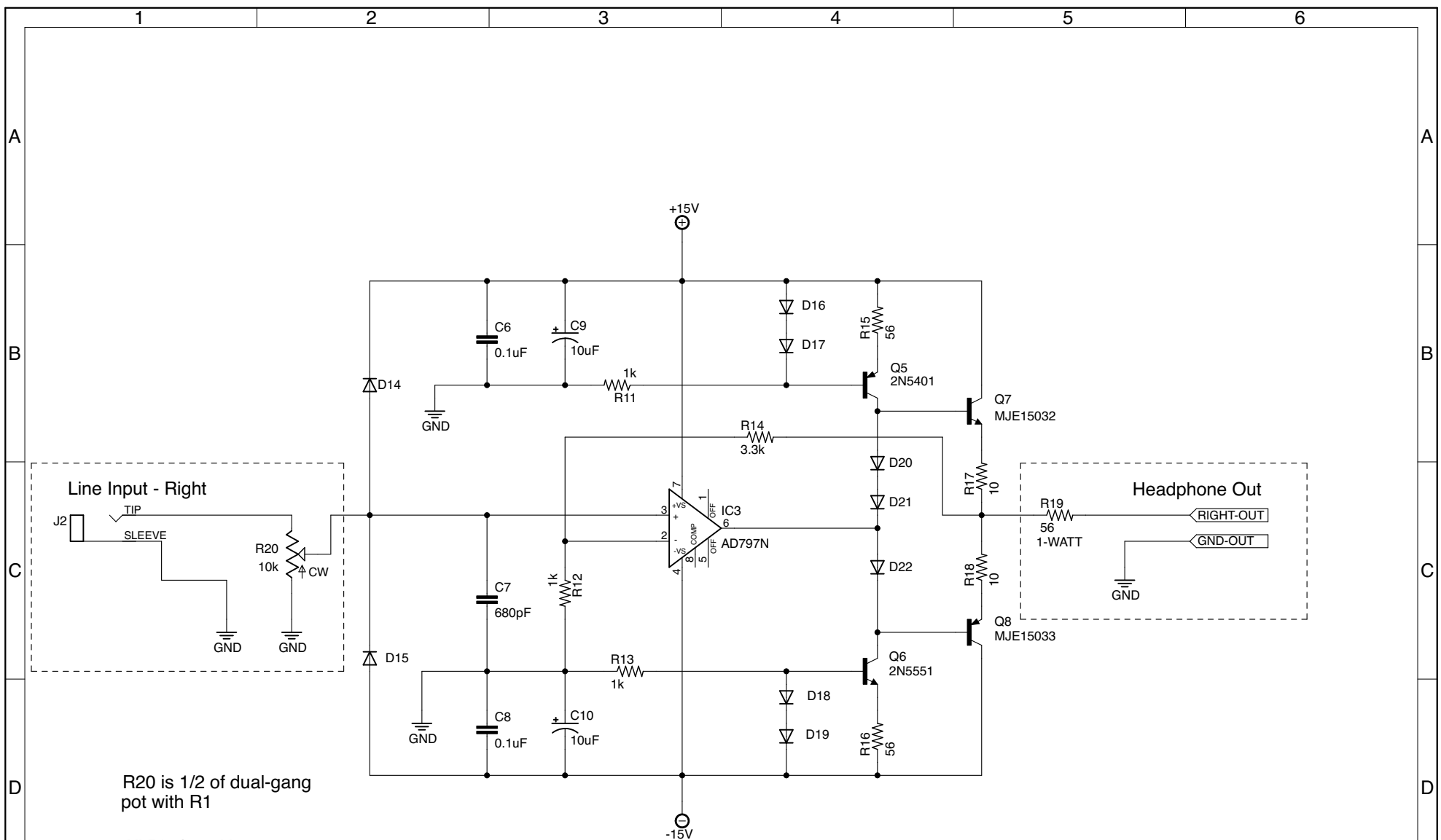
R1 is 1/2 of dual-gang pot with R20

All Diodes 1N4148

Pin-Compatible Subs for 797 OA are:  
NE5534  
MC33071

Suggested Dual OA:  
OP275  
NE5532  
MC33078

TITLE: engr301-project-sp13	
Document Number:	REV:
Date: 2/19/13 9:36 AM	Sheet: 2/3



Right Channel

R20 is 1/2 of dual-gang pot with R1

All Diodes 1N4148

Pin-Compatible  
Subs for 797 OA are:  
NE5534  
MC33071

Suggested Dual OA:  
OP275  
NE5532  
MC33078

TITLE: engr301-project-sp13	
Document Number:	REV:
Date: 2/19/13 9:36 AM	Sheet: 3/3